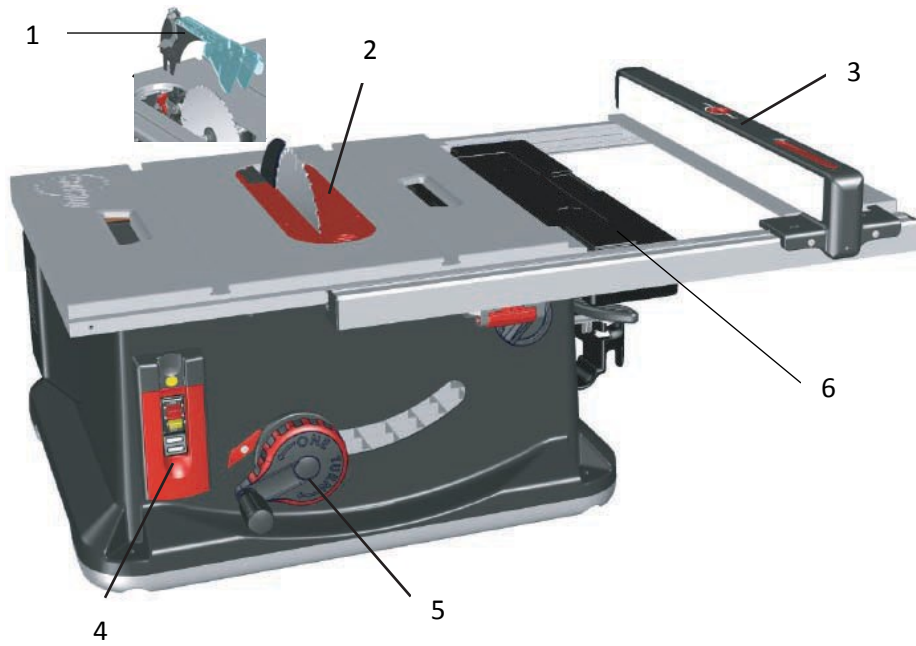


Table Saw Safety and Operation Quiz - O

Name _____ Date _____

1. Personal protective equipment which should be worn when operating the table saw are _____ and _____.
2. When setting the table saw up for a job, the saw blade should be checked for _____.
3. Adjustments are to be made while the blade is at a _____ stop.
4. The table saw is primarily used for _____ lumber.
5. ALWAYS keep the _____ in place while the machine is running.
6. ALWAYS stand to the _____ of the blade, never directly behind it.
7. NEVER reach _____ the saw blade for any reason.
8. At ALL times keep your _____ away from the blade.
9. ALWAYS hold stock _____ on the table and _____ against the fence.
10. DO NOT make _____ cuts on the table saw.
11. USE a push stick on pieces of wood smaller than _____ inches
12. ALWAYS adjust the saw blade a _____ of an inch above your piece of lumber.
13. The _____ is used to guide wood when rip cutting.
14. USE a _____ when crosscutting.
15. _____ is when the piece of wood is pinched between the saw and the fence and is thrown back.
16. ALWAYS push your lumber _____ through the blade.
17. NEVER back the wood away from the blade while the saw is _____.
18. _____ stock should NEVER be ripped on the table saw.
19. An off-bearer should be used to help _____ large stock.
20. If you are in the middle of a cut and the workpiece gets stuck, someone else should _____ the saw.

Identify each part that corresponds to each number.



1 _____
2 _____
3 _____

4 _____
5 _____
6 _____